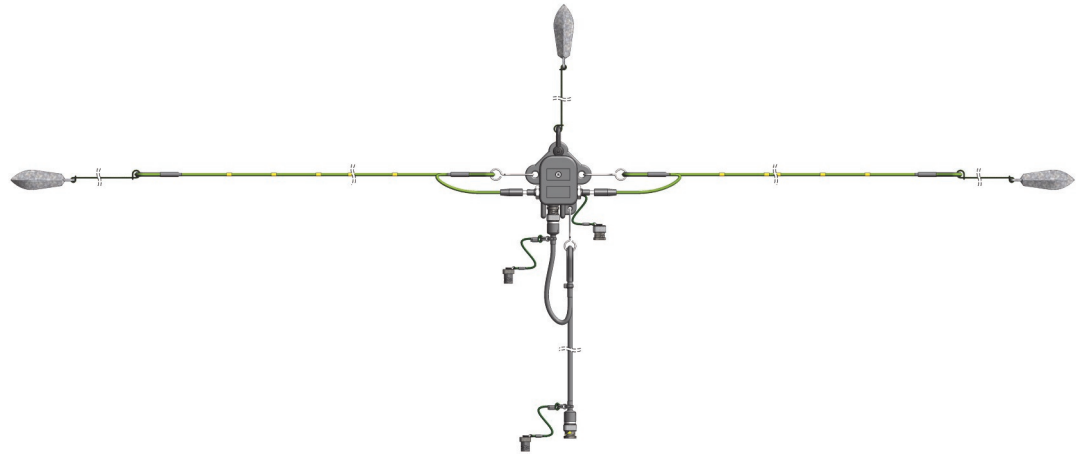




Tactical Wire Dipole LT011

AT A GLANCE

- Highly efficient
- Quick deployment
- All components supplied
- Captive length markers



Antenna shown truncated for clarity

A dipole is the most efficient antenna available in the field, and the Lencom LT011 is simplicity to erect and operate, with a total extended length of 72m allowing operation down to 2MHz.

Throwing weights are supplied to locate and support the balun and dipole ends.

The dipole elements need only be unrolled to the correct length from their winders, and captive brass crimps are fitted to aid in determining element lengths.

A length vs. frequency chart is part of the Installation Instructions for use with transceivers that do not have an internal VSWR bridge.

All components required for the antenna erection are supplied, including balun, halyard and throwing weight, D shackle, dipole elements (on winding frames), throwing weights, a 15m terminated coaxial cable and canvas bag.

There are no fixings to lose, as all parts slip into or clamp on to each other.

Packed weight: 2.7kg
Packed dimensions: 311 x 231 x 243mm
Power rating: 125W PEP

Lencom manufactures a range of tactical antennas and masts; please enquire by any of the means below.

Specifications subject to change without notice

Lencom Antennas Pty. Ltd. 8 Antonio Court, Newton, South Australia 5074
Tel.: +61 8 8365 1900 Fax.: +61 8 8365 3070
Website: www.lencom.com.au Email: info@lencom.com.au

