



# 2-30MHz Broadband Dipole & Lightweight Mast Package 01-1003

## AT A GLANCE

- Full coverage 2-30MHz
- Antenna needs no ATU
- Extremely light
- 1 person erection
- Rapid deployment
- Short package designed for air transport
- All accessories included
- Perfect for rapid deployment needs

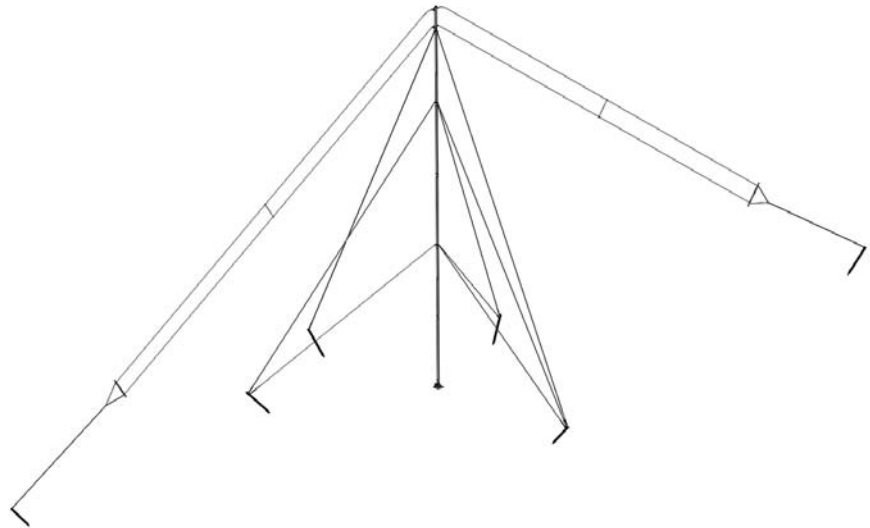


Fig 1. Antenna and mast package

The **Lencom®** 1003 series combine a 2-30MHz folded dipole antenna with an extremely light-weight 10m aluminium mast.

The combination weighs only 26kg in total, and can be erected quickly by one person.

The folded dipole antennas cover the whole HF frequency range of 2-30MHz, without needing an Antenna Tuning Unit. Antenna lengths are 27m, 34m or 43m, with antenna efficiency rising with the longer variants.

The antenna is installed in an inverted "V" configuration with the included mast. The bespoke centre tube that holds the input balun and terminating load drops directly on to the top of the mast, eliminating the need for any mounting hardware, pulleys or raising ropes.

A full installation kit is supplied.

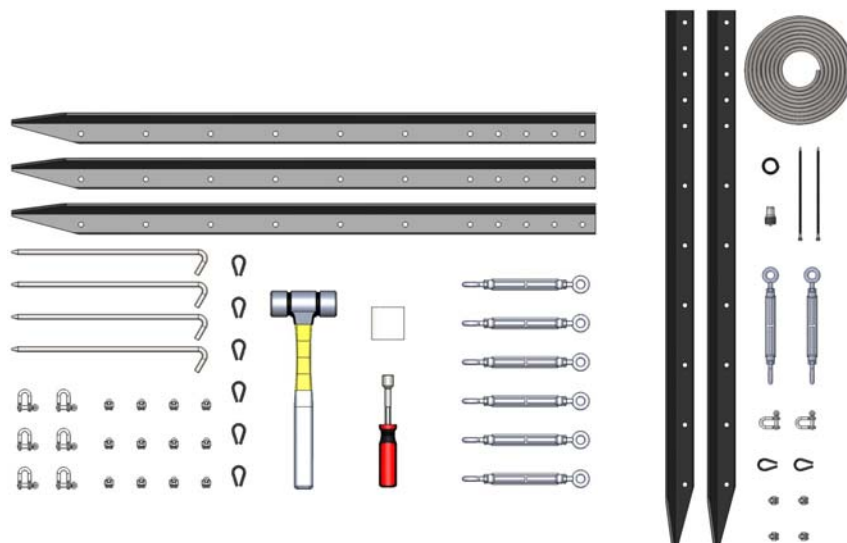


Fig 2. Supplied installation kit





# 2-30MHz Broadband Dipole & Lightweight Mast Package 01-1003

## AT A GLANCE

Full coverage 2-30MHz

Antenna needs no ATU

Extremely light

1 person erection

Rapid deployment

Short package designed for air transport

All accessories included

Perfect for rapid deployment needs

## Specifications

### Mast

Height	10m
Guy Radius	6.5m
Mast Weight	10kg; 18.5kg including star pickets
Packed Package Weight	26kg
Packed Package Dimensions	2,130mm x 320mm x 130mm
Wind rating	160km/h, no ice

### Antenna

Frequency range	2 to 30MHz
Power rating	150W PEP
Wind rating	160km/h, no ice
Nominal Impedance	50Ω
Radiation Pattern	Basically omnidirectional
VSWR	Generally less than 2:1
RF Connector Type	SO239 (UHF Socket)
Antenna length	27m, 34m or 43m
Length to stub masts	29m, 36m or 44m

## Ordering Details

01-1003-001	Mast, natural finish, c/w 27m broadband dipole antenna
01-1003-011	Mast, natural finish, c/w 34m broadband dipole antenna
01-1003-021	Mast, natural finish, c/w 43m broadband dipole antenna
01-1003-101	Mast, matt black finish, c/w 27m broadband dipole antenna
01-1003-111	Mast, matt black finish, c/w 34m broadband dipole antenna
01-1003-121	Mast, matt black finish, c/w 43m broadband dipole antenna

Specifications subject to change without notice

Lencom Antennas Pty. Ltd. 8 Antonio Court, Newton, South Australia 5074  
Tel.: +61 8 8365 1900 Fax.: +61 8 8365 3070  
Website: www.lencom.com.au Email: info@lencom.com.au

